

Type **TN1 H₂ High-Flow**

WEH[®] Receptacle

for refueling of buses and trucks with hydrogen



General

DESCRIPTION



Features

- Flow rate approx. 100 - 120 g/sec.
- Low-noise refueling
- Integrated self-cleaning particle filter (40 micron)
- Integrated high-flow check valve
- Sealing-friendly design
- Coding for pressure range / gas type

The WEH® TN1 H₂ High-Flow Receptacle was developed to be used with the WEH® TK16 H₂ High-Flow Fueling nozzle, enabling to refuel buses and trucks from now on at car fueling stations. Refueling with a higher speed occurs either with a TK16 H₂ Fueling nozzle or with a TK16 H₂ High-Flow Fueling nozzle. Due to the internal aerodynamic design the receptacle gives low noise (no high frequency whistle) combined with maximum flow rate and fast filling. The receptacle is a very durable unit, minimizing maintenance and down-time. The WEH® TN1 H₂ High-Flow Receptacle has an integrated check valve system which is designed to minimize the effect that dirt particles have on the sealing components within the receptacle. The TN1 H₂ High-Flow is also equipped with a coding for pressure range and gas type.

Enhanced safety by integrating a particle filter

Using an integrated particle filter avoids dirt ingress and therefore leakage from the receptacle which gives enhanced safety.

Application

Receptacle for refueling of buses and trucks with hydrogen.

		TK17 H ₂ / TK16 H ₂			
		25 MPa	35 MPa	35 MPa HF*	70 MPa
TN1 H ₂ HF*	35 MPa	✔	✔	✔	

* HF = High-Flow

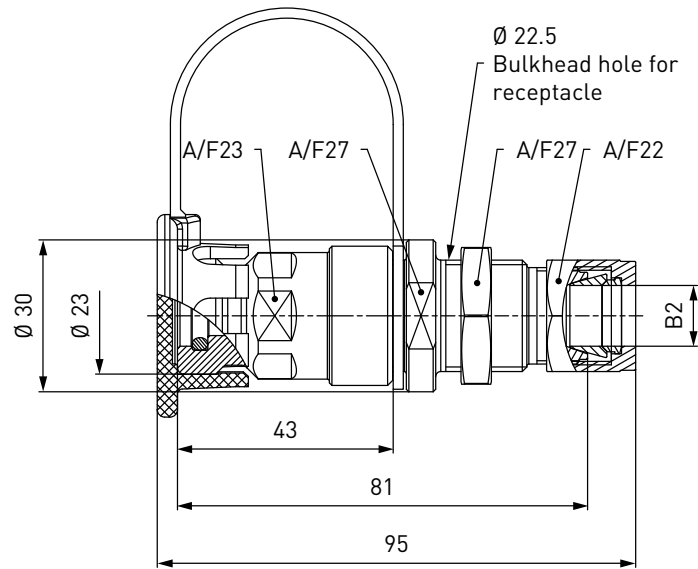
TECHNICAL DATA

Characteristics	Basic version	Options
Nominal bore (DN)	Max. 8 mm, depending on design	On request
Pressure range	PN = 35 MPa (5,000 psi) PS = 45 MPa	
Temperature range	-40 °C up to +85 °C (-40 °F up to +185 °F)	On request
Material	Corrosion resistant	On request
Sealing material	Hydrogen resistant	On request
Design	With protection cap, integrated particle filter (40 micron), integrated check valve and fittings (only for receptacles with tube fitting)	On request
Conformity / Tests / Approvals	<div style="border: 1px solid black; padding: 2px; display: inline-block;">e 1</div> 00 0003 (Regulation (EC) No. 79/2009) SAE J2600:2002	

Ordering

ORDERING | WEH® TN1 H₂ High-Flow Receptacle with tube fitting

approx. dimensions (mm)



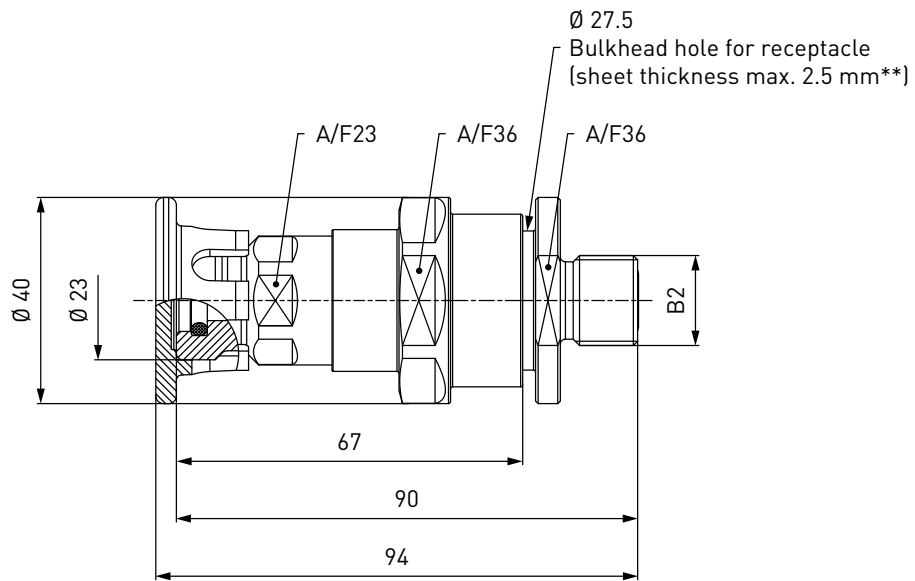
Part No.	Description	DN	Pressure (PN)	B2
C1-85040	TN1 H ₂ High-Flow (e1)	8	35 MPa / 5,000 psi	Tube Ø 12*

* double ferrule fitting

Ordering

ORDERING | WEH® TN1 H₂ High-Flow Receptacle with male thread, prepared for data interface

approx. dimensions (mm)



Part No.	Description	DN	Pressure (PN)	B2 (male thread)
C1-94306	TN1 H ₂ High-Flow (e1)	6	35 MPa / 5,000 psi	UN 11/16" -16 for sealing with O-Lok® Face Seal* for tube Ø 10 (3/8")
C1-112679	TN1 H ₂ High-Flow (e1)	8	35 MPa / 5,000 psi	UN 13/16" -16 for sealing with O-Lok® Face Seal* for tube Ø 12.7 (1/2")

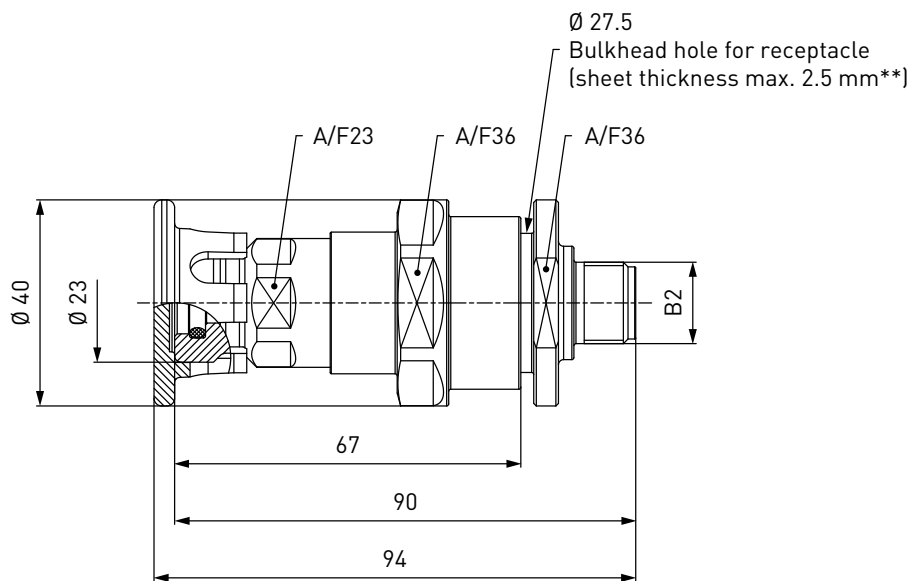
* Face Seal acc. to SAE J1453

** Please indicate when ordering if thicker sheet metals are needed!
Data interface not included!

Ordering / Spare parts

ORDERING | WEH® TN1 H₂ High-Flow Receptacle with tube fitting, prepared for data interface

approx. dimensions (mm)



Part No.	Description	DN	Pressure (PN)	B2
C1-105920	TN1 H ₂ High-Flow (e1)	6	35 MPa / 5,000 psi	Tube Ø 10*

* double ferrule fitting

** Please indicate when ordering if thicker sheet metals are needed!
Data interface and fittings not included!

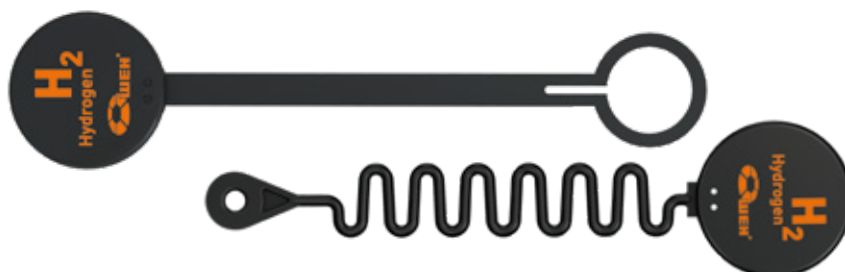
Other connection sizes and versions on request.

SPARE PARTS

Various parts are available as spares for the WEH® TN1 H₂ High-Flow Receptacle.

Protection cap

Protection cap with a strap to protect the TN1 H₂ High-Flow receptacle from dirt ingress.



Part No.	Description
C1-87803	Protection cap
C1-85984	Protection cap for receptacles prepared for data interface

Technical explanations

TECHNICAL EXPLANATIONS

Abbreviations/Definitions

For explanation of abbreviations and definitions of terms see Technical Appendix of the corresponding catalog or www.weh.com

Illustrations

The illustrations and/or images used in these data sheet are particularly provided for illustrative purposes only and may differ in some details from the actual product. For binding information, please refer to your individual orders.

Safe product selection

Our WEH® Products are designed to be operated by qualified professional users (insofar as WEH® Products are also designed to be operated by other users in individual cases, this is explicitly stated in the corresponding operating instructions). Please note that WEH does not know your system and therefore - also due to the large number of different potential applications of WEH® Products - cannot perform tests on all potential types of application. You alone are responsible for the selection, configuration and suitability of WEH® Products, especially according to the requirements of your system. Before purchasing WEH® Products, please particularly ensure that our products are compatible with your intended use, your performance data, your material and fluids, your system concept and your system limits according to our product specifications. Please also consider your technical and legal requirements for operation, handling and maintenance. The quality and safety of WEH® Products is our highest priority. For this reason, WEH® Products may not be used outside the specifications in the relevant data sheets and product descriptions. If you are not sure whether the WEH® Product is suitable for your system and intended use, please contact us in advance. We also strongly recommend that you refrain from using third-party spare parts or a combination of WEH® Products with unsuitable third-party products. You alone are responsible for reviewing the suitability of third-party products. WEH® Products and WEH® Spare parts comply with our quality and safety standards.

Service life

WEH® Products are generally products which may be subject to wear and fatigue during operation and depending on your individual application/use. For details - in particular regarding the corresponding minimum inspection and maintenance intervals - please refer to the respective operating instructions for the WEH® Product.

Explanation on the Pressure Equipment Directive

These WEH® Products are generally classified as pressure accessories in accordance with Article 2 (5) of the Pressure Equipment Directive 2014/68/EU and are considered to be similar to piping. These WEH® Products may not be used as safety accessories. Furthermore, it is pointed out, that these WEH® Products are designed and placed on the market in accordance with the requirements of Article 4 (3) of the Pressure Equipment Directive 2014/68/EU. The assessment with regard to a different classification can, however, be made on request.

External change management

WEH reserves the right to update, optimise and adjust its products continuously. This may result in corresponding changes of the product. Customers will be informed proactively or unsolicited by WEH only in individual cases about product updates, product optimisations and/or product adaptations that have been carried out. You are free to contact WEH at any time to request information about any product updates, product optimisations and/or product adjustments.

© All rights reserved, WEH GmbH. Any unauthorized use is strictly forbidden. Subject to alteration.
No liability will be assumed for any content. Herewith previous versions are no longer valid.

» Contact

More questions? – Great! Don't hesitate to contact our experts.

Manufacturer:

WEH GmbH Gas Technology

Josef-Henle-Str. 1

89257 Illertissen / Germany

Phone: +49 7303 95190-0

E-Mail: h2sales@weh.com

Website: www.weh.com