

Type **TW221**

WEH[®] Connector for pressure and vacuum testing

of straight tubes and bores (internal tube \varnothing 9.5 mm - 24.4 mm)



General

DESCRIPTION



Features

- Connection in seconds
- No hand tightening required
- For connection into straight tubes and bores
- No seal adjustment required
- Wide range of tube tolerances
- High-grade materials

The WEH® TW221 Quick connector provides a pressure-tight connection to bores and straight tubes of copper, steel or aluminium within seconds. The connector is suitable for pressure and vacuum testing with oil free air or gaseous media. The manually operated connector is secured to the component by its connection seal. In this case it is important that during testing, the test piece and seals have to remain absolutely dry to ensure proper functioning and sealing.

The WEH® TW221 is equipped with a SBR front seal. It is the customer's responsibility to clarify the media compatibility.

Application

Quick connector for pressure and vacuum testing of straight tubes and bores (sealing the internal tube diameter), as for example pressure vessels, valves, transducers, compressors, condensers, tubing systems etc.

TECHNICAL DATA

Characteristics	Basic version
Nominal bore DN	2 to 4 mm, acc. to design
Max. allowable operating pressure PS	3 bar
Temperature range	+5 °C up to +80 °C
Leak rate	1 x 10 ⁻³ mbar x l/s
Max. allowable surface finish of test piece	Rz8 µm
Material	Body size 1 + 2: Anodized aluminium
Sealing material	Front seal of SBR

Other designs on request

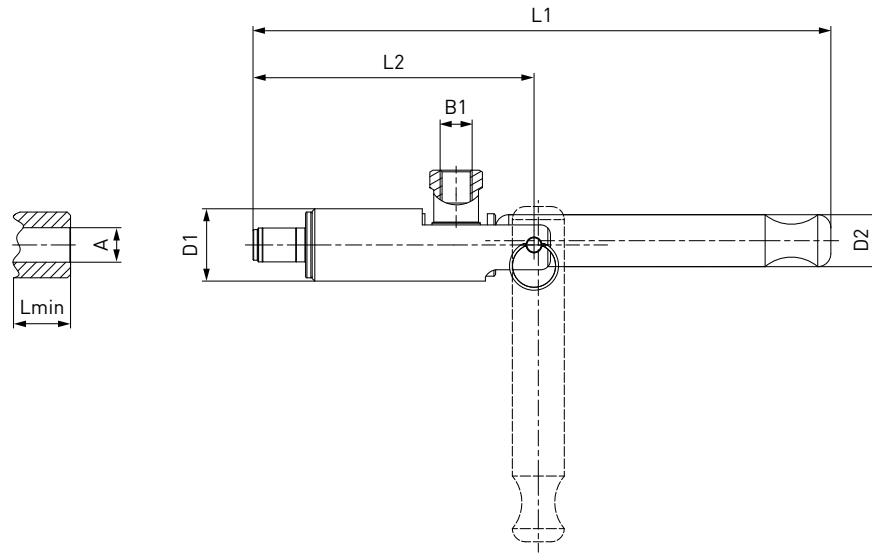
Example of use:



Ordering

ORDERING | WEH® TW221 Quick connector – body size 1 + 2

approx. dimensions (mm)



Part no.	Body size	Sealing range internal tube Ø A	B1 (internal thread)	D1	D2	L1	L2	Lmin*	Replacement seal set** (consisting of 5 front seals + 5 o-rings)
C1-82309	1	9.5 - 10.4	G1/8"	22	16	176	86	16	B200B-89775
C1-82814	1	10.5 - 11.4	G1/8"	22	16	176	86	16	B200B-97248
C1-82305	1	11.5 - 12.4	G1/8"	22	16	176	86	16	B200B-90418
C1-82304	1	12.5 - 13.4	G1/8"	22	16	176	86	16	B200B-89774
C1-84246	2	13.5 - 14.4	G1/8"	22	16	186	96	29	B200B-91391
C1-84247	2	14.5 - 15.4	G1/8"	22	16	186	96	29	B200B-89737
C1-84248	2	15.5 - 16.4	G1/8"	22	16	186	96	29	B200B-90420
C1-84249	2	16.5 - 17.4	G1/8"	22	16	186	96	29	B200B-98586
C1-84251	2	17.5 - 18.4	G1/8"	22	16	186	96	29	B200B-95777
C1-82300	2	18.5 - 19.4	G1/8"	22	16	186	96	29	B200B-90416
C1-84252	2	19.5 - 20.4	G1/8"	22	16	186	96	29	B200B-90442
C1-82307	2	20.5 - 21.4	G1/8"	22	16	186	96	29	B200B-135789
C1-82308	2	21.5 - 22.4	G1/8"	22	16	186	96	29	B200B-95700
C1-84253	2	22.5 - 23.4	G1/8"	22	16	186	96	29	B200B-95894
C1-83865	2	23.5 - 24.4	G1/8"	22	16	186	96	29	B200B-84806

* Lmin: minimum insertion length of test piece

** Replacement seal sets for body size 2 with a sealing range > 13.5 mm always include 10 front seals

Note: required roundness of internal tube diameter max. 0.25 mm

Other connector sizes on request

Other connector versions on request.

Required information for ordering see page 7, catalogue no. 35.

Accessories

ACCESSORIES

The following accessories are available for the WEH® TW221:

Screw plug for plug version

If the WEH® Connector is to be used as a plug, the media inlet 'B1' will be sealed with a screw plug of brass (PVC sealing ring) for low pressure range. It is recommended that the media compatibility of the seal be tested by the customer!



Part no.	Description	Connection (external thread)	Pressure range
E69-9200	Screw plug (low pressure)	G1/8"	0 - 50 bar

Other products

OTHER PRODUCTS

You will find more products in our current catalogue no. 35



Further information on our homepage
www.weh.com

Abbreviations/Definition

Explanation of abbreviations see technical appendix in the catalogue or www.weh.com

Safe product selection

Our WEH® Products are designed to be operated by qualified professional users (insofar as WEH® Products are also designed to be operated by other users in individual cases, this is explicitly stated in the corresponding operating instructions). You alone are responsible for the selection of WEH® Products and their configuration according to the requirements of your system. In doing so, please particularly consider your intended use, your performance data, your material compatibility, your system concept and your system limits as well as your technical and legal requirements for operation, handling and maintenance. The quality and safety of WEH® Products is our highest priority. For this reason, WEH® Products may not be used outside the specifications in the relevant data sheets and product descriptions. We also strongly recommend that you refrain from using third-party spare parts or a combination of WEH® Products with unsuitable third-party products. You alone are responsible for reviewing the suitability of third-party products. WEH® Products and WEH® Spare parts comply with our quality and safety standards.

Explanation on the Pressure Equipment Directive

These WEH® Products are generally and exclusively classified as pressure accessories for piping in accordance with Article 2 (5) of the Pressure Equipment Directive 2014/68/EU. These WEH® Products may not be used (i) as safety accessories or (ii) for vessels as defined by the Pressure Equipment Directive 2014/68/EU. Therefore, the application of these WEH® Products must comply with their classification as pressure accessories for piping. The assessment with regard to a different classification can, however, be made on request.

External change management

WEH reserves the right to update, optimise and adjust its products continuously. This may result in corresponding changes of the product. Customers will be informed proactively or unsolicited by WEH only in individual cases about product updates, product optimisations and/or product adaptations that have been carried out. You are free to contact WEH at any time to request information about any product updates, product optimisations and/or product adjustments.

© All rights reserved, WEH GmbH. Any unauthorized use is strictly forbidden. Subject to alteration.
No liability will be assumed for any content. Herewith previous versions are no longer valid.

» Contact

For queries and further information, please do not hesitate to contact us.

Manufacturer:

WEH GmbH Precision Connectors

Josef-Henle-Str. 1
89257 Illertissen / Germany

Phone: +49 7303 9609-0

Email: sales@weh.com

www.weh.com