

BRASS

TWO-PIECE, FULL PORT, DVGW

BV1 - 2 F D - 1/4" - 2" BSP - T1-4



DN32 - DN50



Certification - gas acc. to DIN EN331 DIN DVGW NG-4312AU0246
 EC - Certification acc. to (90/396/EWG) CE-0085AU0270

FEATURES

- Full port design
- Female thread/male thread
- Female thread according to ISO 7/1
- Male threads according to ISO 7/1
- Length of complete valve according to DIN 3202-M3 only type 1 and type 3
- Free of silicone
- Blow out proof stem design with double O-ring sealing
- T-handle up to size 1" (DN 25) standard handle for all types

MATERIALS

- Body: brass nickel plated
- Ball: brass chrome plated
- Ball seal: PTFE
- Stem seal: 2 Viton O-rings
- Handle: steel zinc coated with yellow plastic cover

WORKING TEMPERATURE

Generally -20°C to +170°C gas -20°C to +60°C (depending on working pressure)

SUITABLE FOR

- Gas, oils, water, compressed air, fuels
- For gas only MOP 5

PRESSURE EQUIPMENT DIRECTIVE

Registered according PED (97/23EC) to max. cat. 3 (B+D)

TYPES

Type 1 & 2

Type 3 & 4



Standard handle



T-handle

OPTIONAL ACCESSORIES

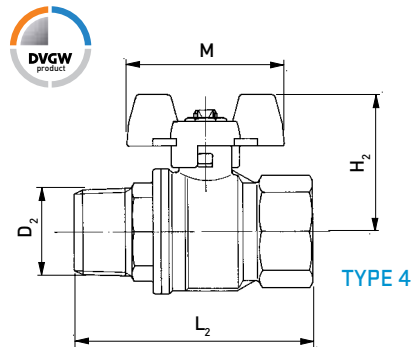
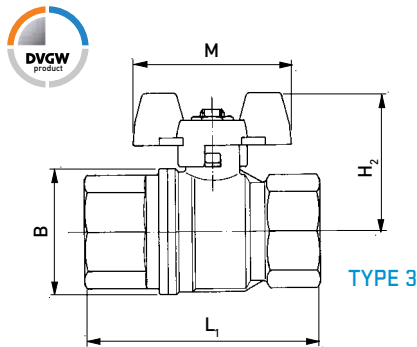
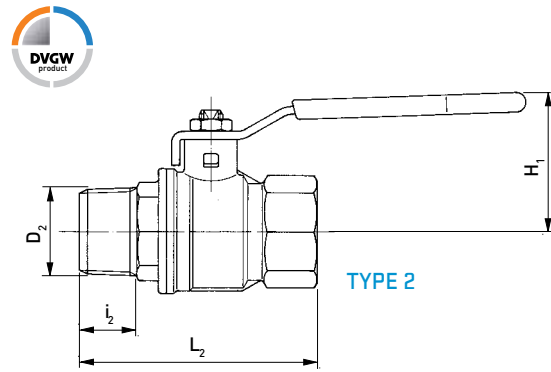
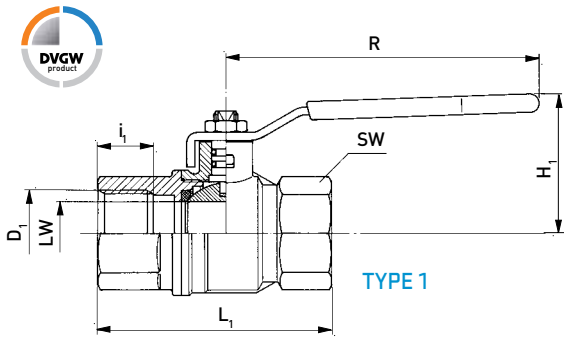
Lockable handle

Stem extension

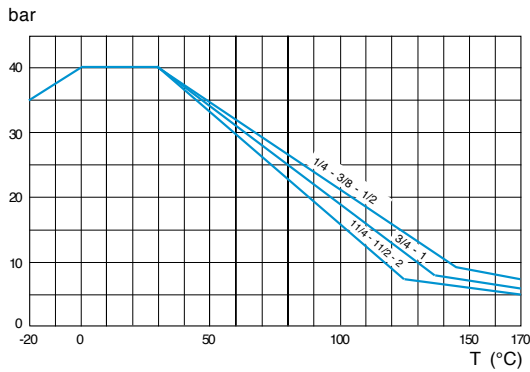


BRASS

TWO-PIECE, FULL PORT, DVGW



PRESSURE TEMPERATURE DIAGRAM



DIMENSIONS [MM]

DN	LW	PN bar	D1 ISO 7/1	D2 ISO 7/1	L1 ±2	L2 ±2	i1*	i2	B	H1	H2	R	M	SW	Weight (kg)	
6	8	40	Rp 1/4	R 1/4	50	56.5	12	13.5	25	38	38	82	50	20	Hexa- gon	0.158
10	9.5	40	Rp 3/8	R 3/8	60	56.5	12	13.5	25	38	38	82	50	20		0.154
15	15	40	Rp 1/2	R 1/2	75	70	15.5	16.5	32	43	43	100	50	25	Octagon	0.246
20	19	40	Rp 3/4	R 3/4	80	76	17	18	39	50	50	120	60	32		0.386
25	24	40	Rp 1	R 1	90	92.5	21	22	49	54	54	120	60	41		0.624
32	30	40	Rp 1 1/4	R 1 1/4	110	106	23	24	59	73	73	160	-	50		0.976
40	38	40	Rp 1 1/2	R 1 1/2	120	113	23	24	72	79	79	160	-	55		1.202
50	48	40	Rp 2	R 2	140	133	26.5	27.5	86	86	86	160	-	70	1.990	

i₁ = useable length of thread