

BRASS

TWO-PIECE, FULL PORT (HEAVY DESIGN)

BV1 - 2 F H - 1/4" - 4" BSP - T1-4



FEATURES

- Full port design
- Female thread/male thread
- Female thread according to DIN ISO 228
- Male threads according to ISO 7/1
- Free of silicone 1/4"-2"
- Blow out proof nickel plated brass stem
- DN6-DN50 adjustable stem packing
- DN65-DN100 with O-ring 1xViton 1xPerbunan
- T-handle up to size 1" (DN 25)
standard handle for all types

MATERIALS

Body: brass nickel plated
 Ball: brass chrome plated
 Ball seal: PTFE
 Packing: PTFE
 Handle: steel zinc coated
 with black plastic cover

TYPES

Type 1 & 2

Type 3 & 4



Standard handle



T-handle

WORKING TEMPERATURE

-20°C to +170°C (depending
on working pressure)

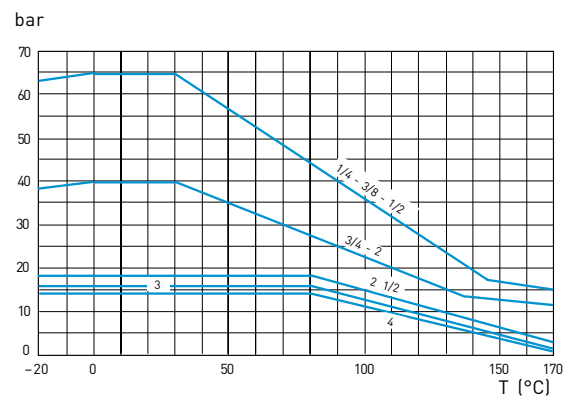
SUITABLE FOR

Oils, compressed air, water, solvents,
fuels steam DN6 - DN50

REMARK

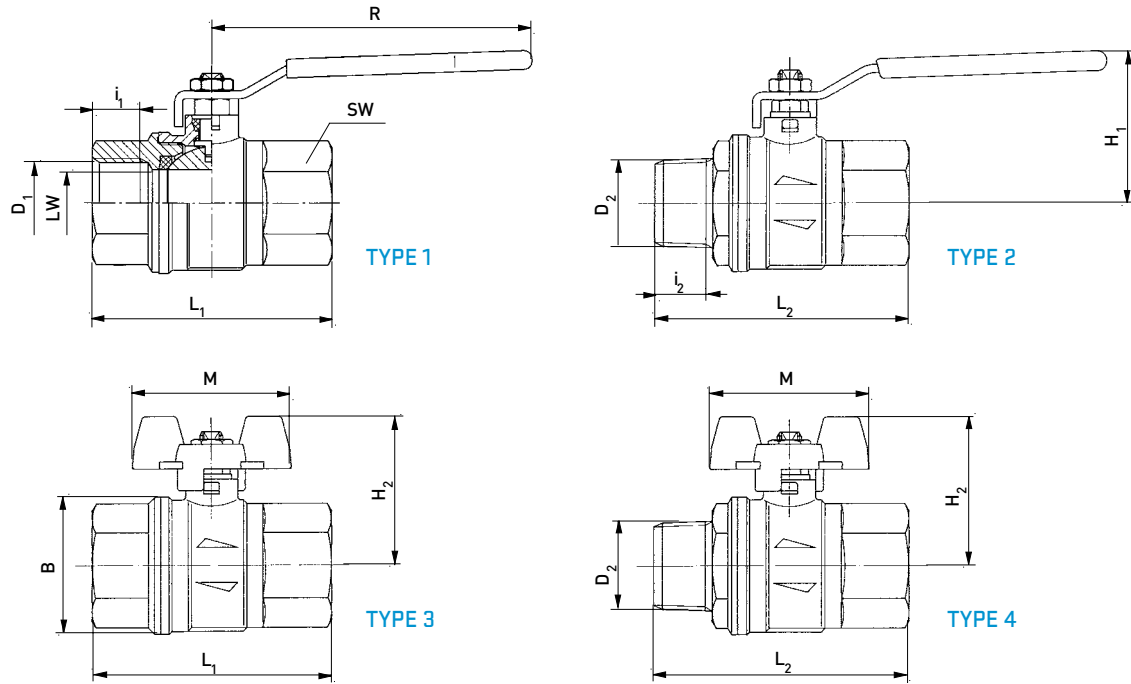
- Gland nut must be adjusted in intervals.

PRESSURE TEMPERATURE DIAGRAM



BRASS

TWO-PIECE, FULL PORT (HEAVY DESIGN)



WEIGHT (KG)

Type	1/4	3/8	1/2	3/4	1	1 1/4	1 1/2	2	2 1/2	3	4
1	0.190	0.170	0.260	0.450	0.795	1.105	1.545	2.505	5.250	7.400	11.100
2	0.190	0.190	0.270	0.450	0.790	1.110	1.605	2.440	5.100	7.600	11.500
3	0.170	0.150	0.240	0.405	0.755	-	-	-	-	-	-
4	0.170	0.170	0.250	0.410	0.745	-	-	-	-	-	-

DIMENSIONS (MM)

DN	LW	PN bar	D1 DIN ISO 228/1	D2 ISO 7/1	L1 ±2	L2 ±2	i1	i2	B	H1	H2	R	M	SW
6	8	65	G 1/4	R 1/4	51	61	12,5	13	28	39,5	40	82	50	22
10	10	65	G 3/8	R 3/8	51	62	12,5	13	28	39,5	42	82	50	22
15	15	65	G 1/2	R 1/2	61	70	15,5	16,5	34	43	45	100	50	27
20	20	40	G 3/4	R 3/4	74,5	83	18	18	44	52,5	53	120	60	32
25	25	40	G 1	R 1	90,5	96	21	22	52	57	54	120	60	41
32	32	40	G 1 1/4	R 1 1/4	104	110	23	24	65	78	-	158	-	50
40	40	40	G 1 1/2	R 1 1/2	117	127	24,5	24	80	85	-	158	-	55
50	50	40	G 2	R 2	135	140	26,5	27,5	96	92	-	158	-	70
65	65	18	G 2 1/2	G 2 1/2	147	156	24	24	122	122	-	247	-	85
80	80	16	G 3	G 3	168	177	26	26	142	134	-	247	-	99
100	100	14	G 4	G 4	202	208	30	30	180	151	-	247	-	125